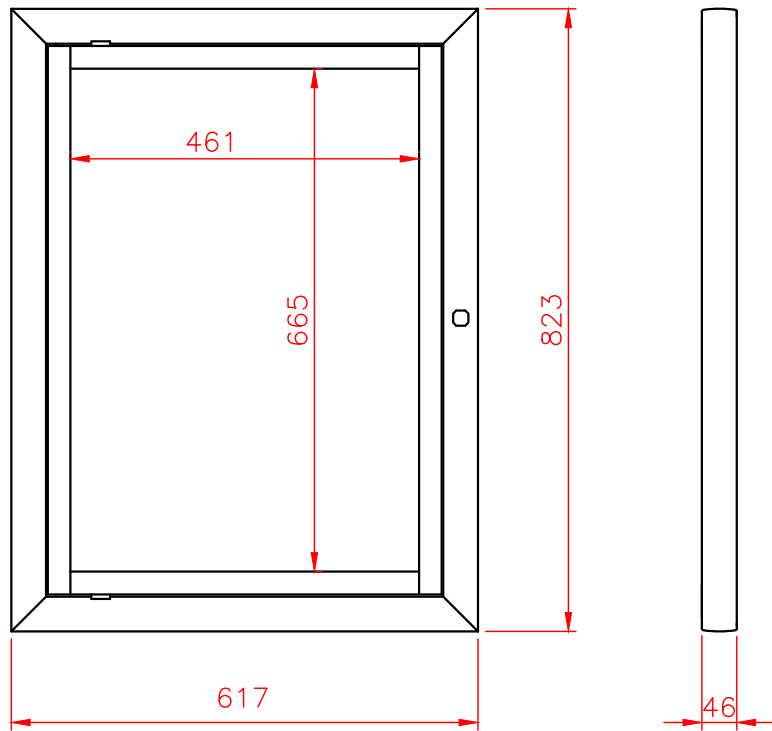



Nr.	Ant.	Ändring och/eller medd.-nr	Datum	Inf.	Godk.
-----	------	----------------------------	-------	------	-------



-		-		-		-		-	
Det.nr	Ant.	Benämning			Material	Mod.nr ämne Dimension	Anm.		
Konstr.	Ritad	Kop.	Kontr.	Stand.	Godk.	Skala	Ersätter	Ersatt av	
-	ÅÅ					1:10			
		<b>INFOSKÅP</b> 2 A3 / 4 A4 ArtNr: ,IN 2A3 M xx				Objektnummer	Datum		
						Ritningsnummer	,IN 2A3 M xx		Rev.

WELAND ALUMINIUM AB  
 This document must not be copied without our written permission and the contents thereof must not be imparted to a third party nor be used for any unauthorized purpose. Contravention will be prosecuted.